


# PU-601R Piezoelectric-Type Pick-up Specification

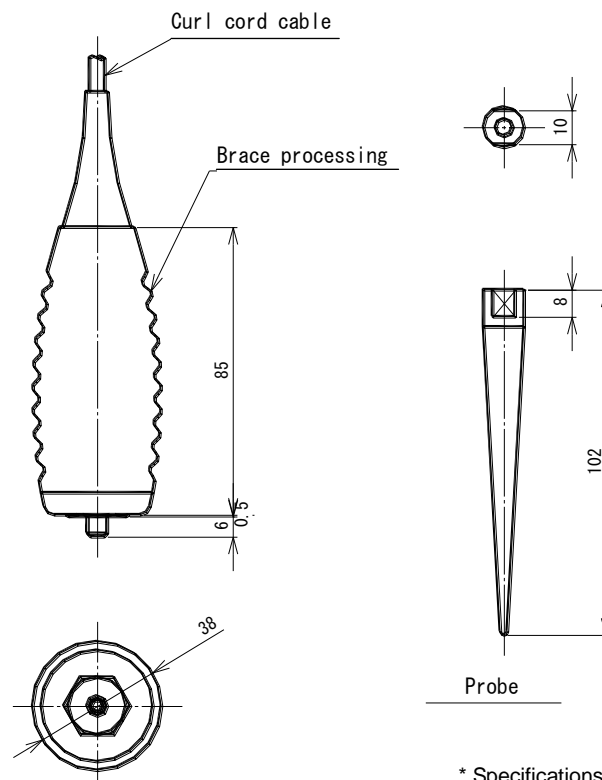
## 1.Type

PU-601R-   
Basic 1

1	Cable terminal	F	Free
		T	Solderless terminal (φ3, Ring terminal)
		A	MK-21 connector
		C	MK-210 connector

## 2.Specifications

(1) Sensitivity	5.1mV/(m/s <sup>2</sup> ) (50mV/G) ±10%
(2) Frequency range (±3dB )	5 to 5,000Hz
(3) Maximum measuring acceleration	490m/s <sup>2</sup> (50G)
(4) Shock survivability	9,800m/s <sup>2</sup> (1,000G)
(5) Mounted resonance frequency	25kHz min. (by screw mount)
(6) Operating temperature range	-10 to +60°C
(7) Preserve temperature range	-15 to +65°C
(8) Weight	170g
(9) Case material	Hard rubber
(10) Cable length	1m
(11) Cable	Curl cord cable
(12) Mounting	JIS M6, Length 6mm
(13) Probe	Length 102mm (attached to the pick-up)
(14) Amplifier	Preamplifier built-in
(15) Excitation voltage	+12 to +25VDC
(16) Constant current excitation	+0.4 to +5.1mA
(17) Output bias voltage	+4.75 to +9.20VDC
(18) Electrical isolation	Case isolated



\* Specifications may change depending on usage environment.